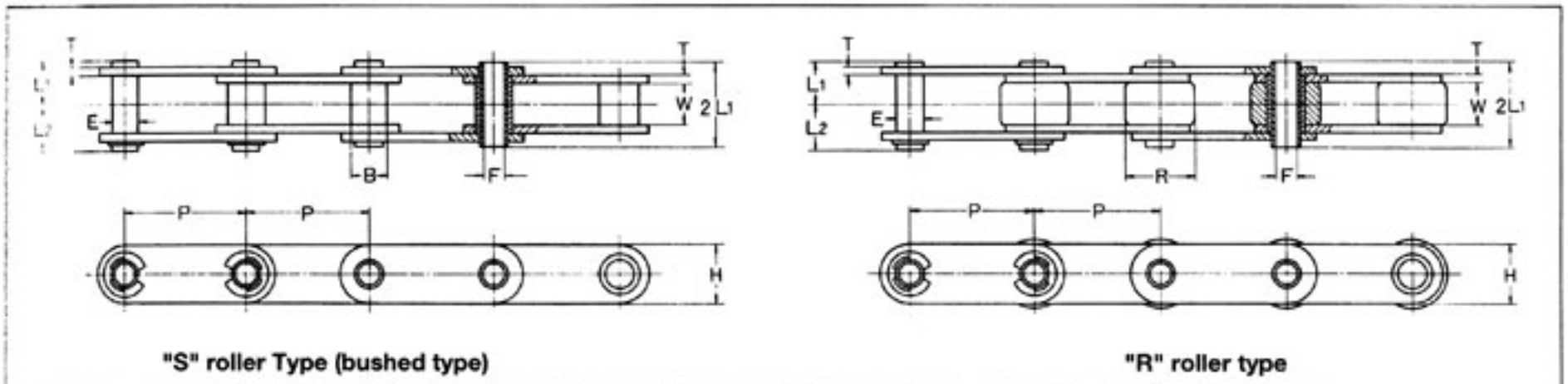


## HOLLOW PIN CHAINS



Chain in both single and double pitch types. Attachments or cross rods may be inserted into any link without disassembling the chain.

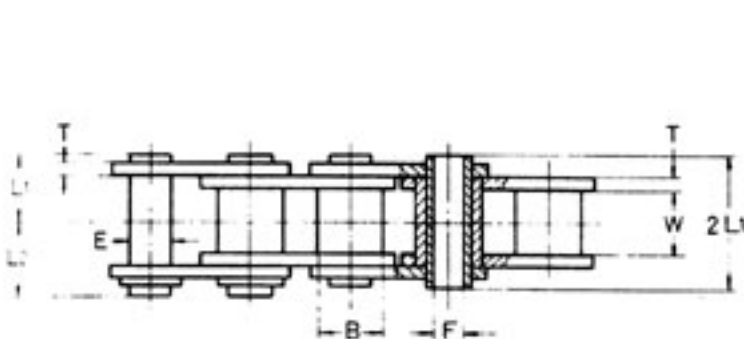
### RF TYPE



(Dimensions in mm)

Chain No.	Pitch <b>P</b>	Width Between Roller Link Plates <b>W</b>	"S" Roller Bush Dia. <b>B</b>	"R" Roller <b>R</b>	Pin				Link Plate		Average Tensile Strength kN (kgf) (Carbon steel)	Maximum Allowable Tension kN(kgf)			Approx. Mass kg/m	
					Outer Dia. <b>E</b>	Inner Dia. <b>F</b> (MIN)	<b>L<sub>1</sub></b>	<b>L<sub>2</sub></b>	Height <b>H</b>	Thickness <b>T</b>		NP	SS	A	Bushed Type	"R" Roller Type
RF2040HP	25.40	7.95	7.94	15.88	5.68	4.00	8.00	9.50	12.0	1.5	10.8 (1,100)	1.76 (180)	0.44 (45)	1.47 (150)	0.46	0.82
RF2050HP	31.75	9.53	10.16	19.05	7.22	5.12	10.05	11.65	15.0	2.0	19.6 (2,000)	3.14 (320)	0.67 (70)	2.55 (260)	0.75	1.21
RF2060HP	38.10	12.70	11.91	22.23	8.38	5.99	12.55	14.25	17.2	2.4	26.5 (2,700)	4.21 (430)	1.03 (105)	3.43 (350)	1.38	2.06
RF2080HP	50.80	15.88	15.88	28.58	11.375	8.02	16.25	17.80	23.0	3.2	48.0 (4,900)	7.64 (780)	1.76 (180)	—	1.80	2.81

### RS TYPE



Chain No.	Pitch <b>P</b>	Width Between Bushing Link Plates <b>W</b>	Bushing Dia. <b>B</b>	Pin			
				Outer Dia. <b>E</b>	Inner Dia. <b>F</b> (MIN)	<b>L<sub>1</sub></b>	<b>L<sub>2</sub></b>
RS40HP	12.70	7.95	7.94	5.68	4.00	8.00	9.50
RS50HP	15.875	9.53	10.16	7.22	5.12	10.05	11.65
RS60HP	19.05	12.70	11.91	8.38	5.99	12.55	14.25

Chain No.	Pin		Average Tensile Strength kN(kgf) (Carbon steel)	Maximum Allowable Tension kN(kgf)			Approx. Mass kg/m
	Height <b>H</b>	Thickness <b>T</b>		NP	SS	A	
RS40HP	12.0	1.5	10.8 (1,100)	1.76 (180)	0.44 (45)	1.47 (150)	0.53
RS50HP	15.0	2.0	19.6 (2,000)	3.14 (320)	0.67 (70)	2.55 (260)	0.86
RS60HP	18.1	2.4	26.5 (2,700)	4.21 (430)	1.03 (105)	3.43 (350)	1.27

#### RF 2040 HP-NP-S

