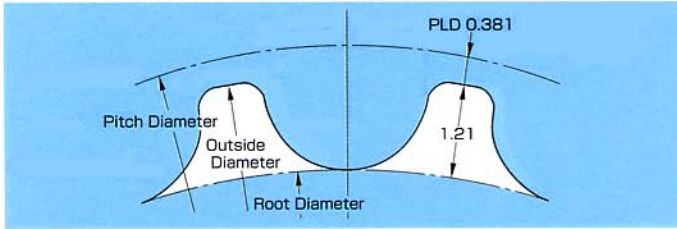


HTD 3M Pulley



Pulley Groove Profile



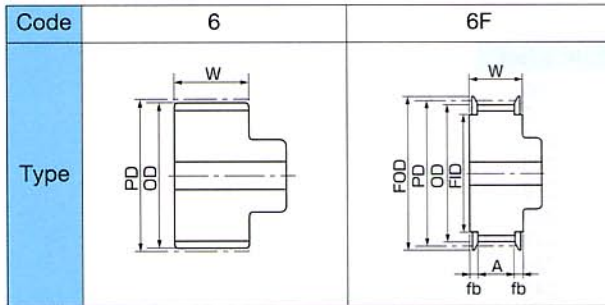
Pully Code

3mm Pitch

P30-3M-9-6F

Pulley Type
Belt Width
Pitch
Number of Groove

Pulley Type



W·A·fb Dimensions for standard belt width (mm)

Belt Width	6	9	15
W	11	14	20
A ⁰ _{.0.2}	7.3	10.3	16.3
fb	1.85	1.85	1.85

2

Pulley Dimension Table

Unit mm

No. of Grooves	PD	OD	FID	FOD	No. of Grooves	PD	OD	FID	FOD	No. of Grooves	PD	OD	FID	FOD
10	9.55	8.79	6	13	51	48.70	47.94	43	52	96	91.67	90.91	86	95
11	10.50	9.74	7	14	52	49.66	48.89	44	53	97	92.63	91.87	87	96
12	11.46	10.70	7	15	53	50.61	49.85	45	54	98	93.58	92.82	88	97
13	12.41	11.65	8	16	54	51.57	50.80	46	55	99	94.54	93.78	89	98
14	13.37	12.61	9	17	55	52.52	51.76	47	56	100	95.49	94.73	90	99
15	14.32	13.56	10	18	56	53.48	52.71	48	57	101	96.45	95.69	90	100
16	15.28	14.52	11	19	57	54.43	53.67	49	58	102	97.40	96.64	91	101
17	16.23	15.47	12	20	58	55.39	54.62	50	59	103	98.36	97.60	92	102
18	17.19	16.43	12	21	59	56.34	55.58	51	60	104	99.31	98.55	93	103
19	18.14	17.38	13	22	60	57.30	56.53	52	61	105	100.27	99.51	94	104
20	19.10	18.34	14	23	61	58.25	57.49	53	62	106	101.22	100.46	95	105
21	20.05	19.29	15	24	62	59.21	58.44	54	63	107	102.18	101.42	96	106
22	21.01	20.25	16	24	63	60.16	59.40	55	64	108	103.13	102.37	97	107
23	21.96	21.20	17	25	64	61.12	60.35	56	65	109	104.09	103.33	98	108
24	22.92	22.16	18	26	65	62.07	61.31	56	66	110	105.04	104.28	99	109
25	23.87	23.11	18	27	66	63.03	62.26	57	67	111	106.00	105.24	100	110
26	24.83	24.07	19	28	67	63.98	63.22	58	68	112	106.95	106.19	101	111
27	25.78	25.02	20	29	68	64.94	64.17	59	69	113	107.91	107.15	102	112
28	26.74	25.98	21	30	69	65.89	65.13	60	70	114	108.86	108.10	103	113
29	27.69	26.93	22	31	70	66.85	66.08	61	70	115	109.82	109.05	104	113
30	28.65	27.89	23	32	71	67.80	67.04	62	71	116	110.77	110.01	105	114
31	29.60	28.84	24	33	72	68.75	67.99	63	72	117	111.73	110.96	106	115
32	30.56	29.80	25	34	73	69.71	68.95	64	73	118	112.68	111.92	107	116
33	31.51	30.75	26	35	74	70.66	69.90	65	74	119	113.64	112.87	108	117
34	32.47	31.71	27	36	75	71.62	70.86	66	75	120	114.59	113.83	109	118
35	33.42	32.66	28	37	76	72.57	71.81	67	76	121	115.55	114.78	110	119
36	34.38	33.62	29	38	77	73.53	72.77	68	77	122	116.50	115.74	111	120
37	35.33	34.57	30	39	78	74.48	73.72	69	78	123	117.46	116.69	112	121
38	36.29	35.53	31	40	79	75.44	74.68	70	79	124	118.41	117.65	113	122
39	37.24	36.48	32	41	80	76.39	75.63	71	80	125	119.37	118.60	114	123
40	38.20	37.44	33	42	81	77.35	76.59	72	81					
41	39.15	38.39	34	43	82	78.30	77.54	73	82					
42	40.11	39.35	34	44	83	79.26	78.50	74	83					
43	41.06	40.30	35	45	84	80.21	79.45	75	84					
44	42.02	41.25	36	46	85	81.17	80.41	76	85					
45	42.97	42.21	37	47	86	82.12	81.36	76	86					
46	43.93	43.16	38	48	87	83.08	82.32	77	87					
47	44.88	44.12	39	49	88	84.03	83.27	78	88					
48	45.84	45.07	40	49	89	84.99	84.23	79	89					
49	46.79	46.03	41	50	90	85.94	85.18	80	90					
50	47.75	46.98	42	51	91	86.90	86.14	81	91					
					92	87.85	87.09	82	91					
					93	88.81	88.05	83	92					
					94	89.76	89.00	84	93					
					95	90.72	89.96	85	94					

$$\text{Pulley Pitch Diameter} = \frac{P \times N}{\pi}$$

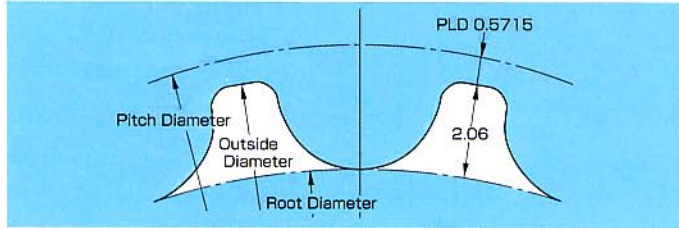
$$\text{Outside Diameter (OD)} = \text{PD} - 2 \times \text{PLD}$$

P : Belt Pitch (mm)
N : Number of Grooves
π : Ratio of Circumference
3M · PLD : 0.381mm

HTD 5M Pulley

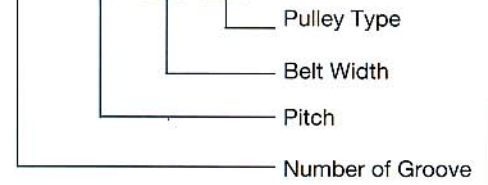


Pulley Groove Profile



Pully Code

5mm Pitch **P30-5M-15-6F**



Pulley Type

Code	6	6F
Type		

W·A·fb Dimensions for standard belt width (mm)

Belt Width	9.0	15.0	20.0	25.0	30.0	40.0
W	14.0	20.0	25.0	30.0	35.0	45.0
A _{-0.2} ⁰	10.3	16.3	21.3	26.3	31.3	41.3
fb	1.85	1.85	1.85	1.85	1.85	1.85

Pulley Dimension Table

No. of Grooves	PD	OD	FID	FOD	No. of Grooves	PD	OD	FID	FOD	No. of Grooves	PD	OD	FID	FOD	No. of Grooves	PD	OD	FID	FOD	
14	22.28	21.14	16	26	56	89.13	87.98	81	93	101	160.75	159.60	152	165	126	200.54	199.39	192	204	
15	23.87	22.73	17	27	57	90.72	89.58	82	94	102	162.34	161.20	154	166	127	202.13	200.98	193	206	
16	25.46	24.32	19	29	58	92.31	91.17	84	96	103	163.93	162.79	155	168	128	203.72	202.58	195	207	
17	27.06	25.91	20	31	59	93.90	92.76	85	98	104	165.52	164.38	157	169	129	205.31	204.17	197	209	
18	28.65	27.50	22	32	60	95.49	94.35	87	99	105	167.11	165.97	158	171	130	206.90	205.76	198	211	
19	30.24	29.10	23	34	61	97.08	95.94	89	101	106	168.70	167.56	160	172	131	208.49	207.35	200	212	
20	31.83	30.69	24	35	62	98.68	97.53	90	102	107	170.30	169.15	162	174	132	210.08	208.94	201	214	
21	33.42	32.28	26	37	63	100.27	99.12	92	104	108	171.89	170.74	163	176	133	211.68	210.53	203	215	
22	35.01	33.87	27	39	64	101.86	100.72	93	106	109	173.48	172.34	165	177	134	213.27	212.12	205	217	
23	36.61	35.46	29	40	65	103.45	102.31	95	107	110	175.07	173.93	166	179	135	214.86	213.72	206	219	
24	38.20	37.05	30	42	66	105.04	103.90	96	109	111	176.66	175.52	168	180	136	216.45	215.31	208	220	
25	39.79	38.65	32	43	67	106.63	105.49	98	110	112	178.25	177.11	170	182	137	218.04	216.90	209	222	
26	41.38	40.24	33	45	68	108.23	107.08	100	112	113	179.85	178.70	171	184	138	219.63	218.49	211	223	
27	42.97	41.83	34	47	69	109.82	108.67	101	114	114	181.44	180.29	173	185	139	221.23	220.08	213	225	
28	44.56	43.42	36	48	70	111.41	110.27	103	115	115	183.03	181.89	174	187	140	222.82	221.67	214	227	
29	46.15	45.01	38	50	71	113.00	111.86	104	117	116	184.62	183.48	176	188	141	224.41	223.27	216	228	
30	47.75	46.60	39	51	72	114.59	113.45	106	118	117	186.21	185.07	178	190	142	226.00	224.86	217	230	
31	49.34	48.20	41	53	73	116.18	115.04	108	120	118	187.80	186.66	179	192	143	227.59	226.45	219	231	
32	50.93	49.79	42	55	74	117.77	116.63	109	122	119	189.39	188.25	181	193	144	229.18	228.04	221	233	
33	52.52	51.38	44	56	75	119.37	118.22	111	123	120	190.99	189.84	182	195	145	230.77	229.63	222	235	
34	54.11	52.97	46	58	76	120.96	119.81	112	125	121	192.58	191.43	184	196	146	232.37	231.22	224	236	
35	55.70	54.56	47	59	77	122.55	121.41	114	126	122	194.17	193.03	186	198	147	233.96	232.81	225	238	
36	57.30	56.15	49	61	78	124.14	123.00	116	128	123	195.76	194.62	187	200	148	235.55	234.41	227	239	
37	58.89	57.74	50	63	79	125.73	124.59	117	129	124	197.35	196.21	189	201	149	237.14	236.00	229	241	
38	60.48	59.34	52	64	80	127.32	126.18	119	131	125	198.94	197.80	190	203	150	238.73	237.59	230	242	
39	62.07	60.93	54	66	81	128.92	127.77	120	133	126										
40	63.66	62.52	55	67	82	130.51	129.36	122	134	127										
41	65.25	64.11	57	69	83	132.10	130.96	124	136	128										
42	66.85	65.70	58	71	84	133.69	132.55	125	137	129										
43	68.44	67.29	60	72	85	135.28	134.14	127	139	130										
44	70.03	68.89	62	74	86	136.87	135.73	128	141	131										
45	71.62	70.48	63	75	87	138.46	137.32	130	142	132										
46	73.21	72.07	65	77	88	140.06	138.91	132	144	133										
47	74.80	73.66	66	79	89	141.65	140.50	133	145	134										
48	76.39	75.25	68	80	90	143.24	142.10	135	147	135										
49	77.99	76.84	69	82	91	144.83	143.69	136	149	136										
50	79.58	78.43	71	83	92	146.42	145.28	138	150	137										
51	81.17	80.03	73	85	93	148.01	146.87	139	152	138										
52	82.76	81.62	74	86	94	149.61	148.46	141	153	139										
53	84.35	83.21	76	88	95	151.20	150.05	143	155	140										
54	85.94	84.80	77	90	96	152.79	151.65	144	157	141										
55	87.54	86.39	79	91	97	154.38	153.24	146	158	142										
					98	155.97	154.83	147	160	143										
					99	157.56	156.42	149	161	144										
					100	159.15	158.01	151	163	145										

Pulley Pitch Diameter (PD) = $\frac{P \times N}{\pi}$

Outside Diameter (OD) = PD - 2 × PLD

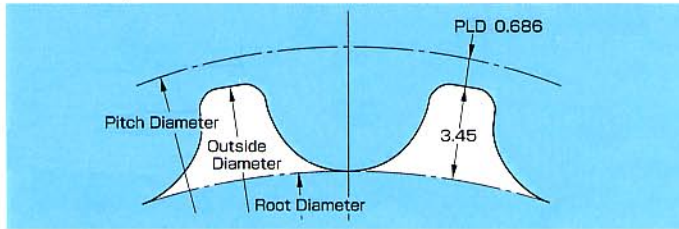
P : Belt Pitch (mm)
 N : No. of Grooves
 π : Ratio of Circumference
 5M · PLD : 0.5715 mm

2

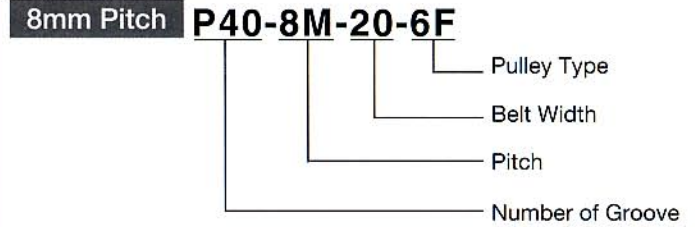
HTD 8M Pulley



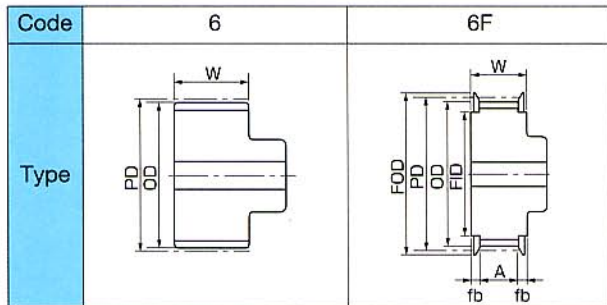
Pulley Groove Profile



Pully Code



Pulley Type



W·A·fb Dimensions for standard belt width (mm)

Belt Width	20.0	25.0	30.0	40.0	50.0	60.0	70.0	85.0
W	28.0	33.0	38.0	48.0	59.0	69.0	79.0	95.0
A _{-0.2} ⁰	21.7	26.7	31.7	41.7	52.7	62.7	72.7	88.7
fb	3.15	3.15	3.15	3.15	3.15	3.15	3.15	3.15

2

Pulley Dimension Table

No. of Grooves	PD	OD	FID	FOD	No. of Grooves	PD	OD	FID	FOD	No. of Grooves	PD	OD	FID	FOD	No. of Grooves	PD	OD	FID	FOD		
20	50.93	49.56	40	62	61	155.34	153.96	142	164	106	269.93	268.55	257	279	131	333.59	332.22	320	342		
21	53.48	52.10	40	62	62	157.88	156.51	145	166	107	272.47	271.10	259	281	132	336.14	334.76	323	345		
22	56.02	54.65	45	64	63	160.43	159.06	147	169	108	275.02	273.65	262	284	133	338.68	337.31	326	348		
23	58.57	57.20	47	67	64	162.97	161.60	150	172	109	277.57	276.19	264	286	134	341.23	339.86	328	350		
24	61.12	59.74	50	70	65	165.52	164.15	153	174	110	280.11	278.74	267	289	135	343.77	342.40	331	353		
25	63.66	62.29	52	72	66	168.07	166.70	155	177	111	282.66	281.29	270	291	136	346.32	344.95	333	355		
26	66.21	64.84	54	75	67	170.61	169.24	158	179	112	285.21	283.83	272	294	137	348.87	347.50	336	358		
27	68.75	67.38	57	77	68	173.16	171.79	160	182	113	287.75	286.38	275	296	138	351.41	350.04	338	360		
28	71.30	69.93	59	80	69	175.71	174.34	163	184	114	290.30	288.93	277	299	139	353.96	352.59	341	363		
29	73.85	72.48	62	82	70	178.25	176.88	165	187	115	292.85	291.47	280	302	140	356.51	355.14	343	365		
30	76.39	75.02	64	85	71	180.80	179.43	168	190	116	295.39	294.02	282	304	141	359.05	357.68	346	368		
31	78.94	77.57	67	88	72	183.35	181.97	171	192	117	297.94	296.57	285	307	142	361.60	360.23	348	370		
32	81.49	80.12	69	90	73	185.89	184.52	173	195	118	300.48	299.11	287	309	143	364.15	362.77	351	373		
33	84.03	82.66	71	93	74	188.44	187.07	175	197	119	303.03	301.66	290	312	144	366.69	365.32	354	376		
34	86.58	85.21	74	95	75	190.99	189.61	178	200	120	305.58	304.21	292	314	145	369.24	367.87	356	378		
35	89.13	87.75	76	98	76	193.53	192.16	180	202	121	308.12	306.75	295	317	146	371.79	370.41	359	381		
36	91.67	90.30	79	100	77	196.08	194.71	183	205	122	310.67	309.30	298	319	147	374.33	372.96	361	383		
37	94.22	92.85	81	103	78	198.63	197.25	186	207	123	313.22	311.84	300	322	148	376.88	375.51	364	386		
38	96.77	95.39	84	105	79	201.17	199.80	188	210	124	315.76	314.39	303	324	149	379.43	378.05	366	388		
39	99.31	97.94	86	108	80	203.72	202.35	191	212	125	318.31	316.94	305	327	150	381.97	380.60	369	391		
40	101.86	100.49	89	110	81	206.26	204.89	193	215	126	320.86	319.48	308	330							
41	104.41	103.03	92	113	82	208.81	207.44	196	218	127	323.40	322.03	310	332							
42	106.95	105.58	94	116	83	211.36	209.99	198	220	128	325.95	324.58	313	335							
43	109.50	108.13	97	118	84	213.90	212.53	201	223	129	328.50	327.12	315	337							
44	112.05	110.67	99	121	85	216.45	215.08	203	225	130	331.04	329.67	318	340							
45	114.59	113.22	102	123	86	219.00	217.63	206	228												
46	117.14	115.77	104	126	87	221.54	220.17	208	230												
47	119.68	118.31	107	128	88	224.09	222.72	211	233												
48	122.23	120.86	109	131	89	226.64	225.26	214	235												
49	124.78	123.41	112	133	90	229.18	227.81	216	238												
50	127.32	125.95	114	136	91	231.73	230.36	219	240												
51	129.87	128.50	117	139	92	234.28	232.90	221	243												
52	132.42	131.04	119	141	93	236.82	235.45	224	246												
53	134.96	133.59	122	143	94	239.37	238.00	226	248												
54	137.51	136.14	125	146	95	241.92	240.54	229	251												
55	140.06	138.68	127	149	96	244.46	243.09	231	253												
56	142.60	141.23	130	151	97	247.01	245.64	234	256												
57	145.15	143.78	132	154	98	249.55	248.18	236	258												
58	147.70	146.32	135	156	99	252.10	250.73	239	261												
59	150.24	148.87	137	159	100	254.65	253.28	242	263												
60	152.79	151.42	140	161	101	257.19	255.82	244	266												
					102	259.74	258.37	247	268												
					103	262.29	260.92	249	271												
					104	264.83	263.46	252	274												
					105	267.38	266.01	254	276												

Pully Pitch Diameter = $\frac{P \times N}{\pi}$

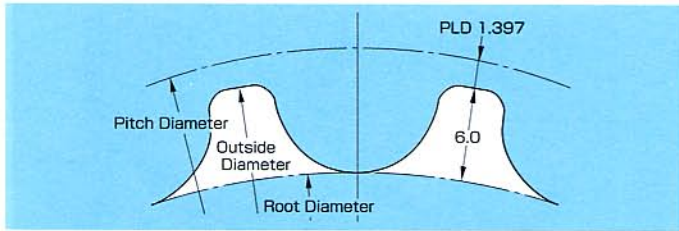
Outside Diameter (OD) = $PD - 2 \times PLD$

P : Belt Pitch (mm)
 N : No. of Grooves
 π : Ratio of Circumference
 8M · PLD : 0.686mm

HTD 14M Pulley

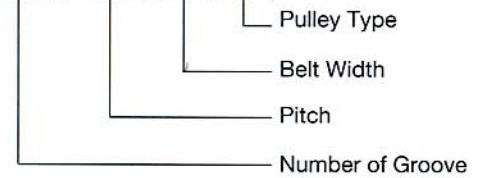


Pulley Groove Profile

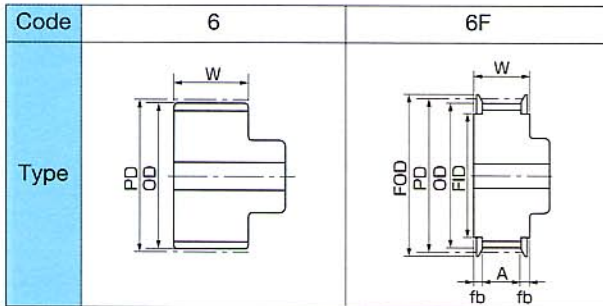


Pully Code

14mm Pitch **P44-14M-40-6F**



Pulley Type



W·A·fb Dimensions for standard belt width (mm)

Belt Width	30.0	40.0	55.0	70.0	85.0	100.0	115.0	130.0	150.0	170.0
W	40.0	50.0	66.0	81.0	97.0	112.0	128.0	143.0	163.0	183.0
A ⁰ _{-0.2}	32.0	42.0	58.0	73.0	89.0	104.0	120.0	135.0	155.0	175.0
fb	4	4	4	4	4	4	4	4	4	4

2

Pulley Dimension Table

No. of Grooves	PD	OD	FID	FOD
28	124.78	121.98	106	137
29	129.23	126.44	111	141
30	133.69	130.90	115	146
31	138.15	135.35	120	150
32	142.60	139.81	123	155
33	147.06	144.27	128	159
34	151.52	148.72	132	164
35	155.97	153.18	137	168
36	160.43	157.63	140	173
37	164.88	162.09	144	177
38	169.34	166.55	149	182
39	173.80	171.00	153	186
40	178.25	175.46	158	190
41	182.71	179.92	162	195
42	187.17	184.37	167	200
43	191.62	188.83	171	204
44	196.08	193.28	176	208
45	200.54	197.74	180	213
46	204.99	202.20	185	217
47	209.45	206.65	189	222
48	213.90	211.11	194	226
49	218.36	215.57	198	231
50	222.82	220.02	203	235
51	227.27	224.48	207	240
52	231.73	228.94	211	244
53	236.19	233.39	216	249
54	240.64	237.85	220	253
55	245.10	242.30	225	257
56	249.55	246.76	229	262
57	254.01	251.22	234	266
58	258.47	255.67	238	271
59	262.92	260.13	242	275
60	267.38	264.59	247	280
61	271.84	269.04	252	284
62	276.29	273.50	256	289
63	280.75	277.96	261	293
64	285.21	282.41	265	297
65	289.66	286.87	269	302
66	294.12	291.32	274	306
67	298.57	295.78	278	311
68	303.03	300.24	283	315
69	307.49	304.69	287	320
70	311.94	309.15	291	324

No. of Grooves	PD	OD	FID	FOD
71	316.40	313.61	296	329
72	320.86	318.06	301	333
73	325.31	322.52	305	338
74	329.77	326.98	309	342
75	334.23	331.43	314	346
76	338.68	335.89	318	351
77	343.14	340.34	323	355
78	347.59	344.80	327	360
79	352.05	349.26	332	364
80	356.51	353.71	336	369
81	360.96	358.17	341	373
82	365.42	362.63	345	378
83	369.88	367.08	349	382
84	374.33	371.54	354	387
85	378.79	375.99	358	391
86	383.25	380.45	363	395
87	387.70	384.91	367	400
88	392.16	389.36	372	404
89	396.61	393.82	376	409
90	401.07	398.28	381	413
91	405.53	402.73	385	418
92	409.98	407.19	390	422
93	414.44	411.65	394	427
94	418.90	416.10	398	431
95	423.35	420.56	403	436
96	427.81	425.01	407	440
97	432.26	429.47	412	445
98	436.72	433.93	416	449
99	441.18	438.38	421	453
100	445.63	442.84	425	458
101	450.09	447.30	430	462
102	454.55	451.75	434	467
103	459.00	456.21	439	471
104	463.46	460.67	443	476
105	467.92	465.12	447	480
106	472.37	469.58	452	485
107	476.83	474.03	456	489
108	481.28	478.49	461	494
109	485.74	482.95	465	498
110	490.20	487.40	470	502
111	494.65	491.86	474	507
112	499.11	496.32	479	511
113	503.57	500.77	483	516
114	508.02	505.23	487	520
115	512.48	509.68	492	525

No. of Grooves	PD	OD	FID	FOD
116	516.94	514.14	496	529
117	521.39	518.60	501	534
118	525.85	523.05	505	538
119	530.30	527.51	510	543
120	534.76	531.97	514	547
121	539.22	536.42	519	552
122	543.67	540.88	523	556
123	548.13	545.34	528	560
124	552.59	549.79	532	565
125	557.04	554.25	537	569
126	561.50	558.70	541	574
127	565.95	563.16	545	578
128	570.41	567.62	550	583
129	574.87	572.07	554	587
130	579.32	576.53	559	592
131	583.78	580.99	563	596
132	588.24	585.44	568	601
133	592.69	589.90	572	605
134	597.15	594.36	577	609
135	601.61	598.81	581	614

No. of Grooves	PD	OD	FID	FOD
136	606.06	603.27	586	618
137	610.52	607.72	590	623
138	614.97	612.18	595	627
139	619.43	616.64	599	632
140	623.89	621.09	603	636
141	628.34	625.55	608	641
142	632.80	630.01	612	645
143	637.26	634.46	617	650
144	641.71	638.92	621	654
145	646.17	643.38	626	659
146	650.63	647.83	630	663
147	655.08	652.29	635	667
148	659.54	656.74	639	672
149	663.99	661.20	644	676
150	668.45	665.66	648	681

Unit mm

Pulley Pitch
 Diameter = $\frac{P \times N}{\pi}$
 Outside Diameter (OD)
 = PD - 2 × PLD

P : Belt Pitch (mm)
 N : No. of Grooves
 π : Ratio of
 Circumference
 14M · PLD : 1.397mm